

JR28N Series Thermal Relay

1. Application

JR28N series thermal relay is suitable for using in the circuits rated voltage up to 660V, rated current 93A AC 50/60Hz, for over-current protection of AC motor. The relay has the differential mechanism and temperature compensation and can plug in CJX2N series AC contactor. The product conforms to IEC60947-4-1 standard.



JR28N-25

2. Motion Characteristic: Three-phase Balance Motion Time

No	Times of the setting current	Motion time			Start condition	Ambient temperature
1	1.05	>2h			Cold state	20±5°C
2	1.2	<2h			Heat state (Following the No.1 test)	
3	1.5	<4min				
4	7.2	10A	2s<Tp ≤ 10s	≤ 63A	Cold state	
		10	4s<Tp ≤ 10s	>63A		



JR28N-36

3. Phase-losing Motion Characteristic

No	Times of the setting current		Motion time	Start condition	Ambient temperature
	Any two phases	Another phase			
1	1.0	0.9	>2h	Cold state	20±5°C
2	1.15	0	<2h	Heat state (Following the No.1 test)	

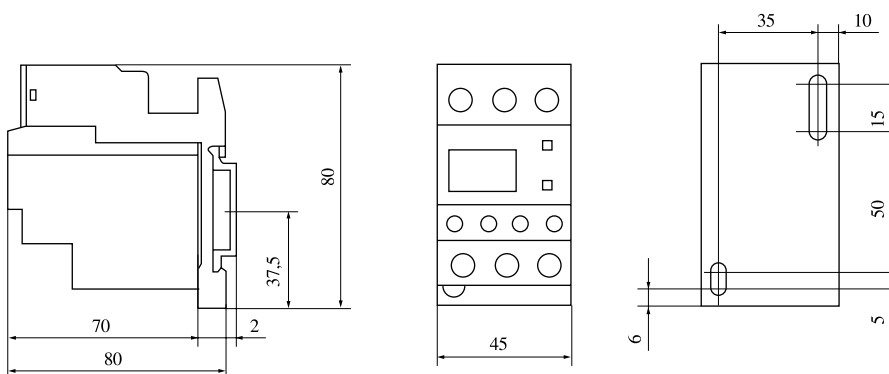
4. Specification

Type	Number	Setting range (A)	For contactor
JR28N-25	D01	0.10~0.16	CJX2N-09~38
	D02	0.16~0.25	CJX2N-09~38
	D03	0.25~0.40	CJX2N-09~38
	D04	0.40~0.63	CJX2N-09~38
	D05	0.63~1	CJX2N-09~38
	D06	1~1.7	CJX2N-09~38
	D07	1.6~2.5	CJX2N-09~38
	D08	2.5~4	CJX2N-09~38
	D10	4~6	CJX2N-09~38
	D12	5.5~8	CJX2N-09~38
	D14	7~10	CJX2N-09~38
	D16	9~13	CJX2N-09~38
	D21	12~18	CJX2N-09~38
	D22	16~24	CJX2N-09~38
	D53	30~38	CJX2N-09~38
JR28N-36	2353	23~32	CJX2N-25~32
	2355	30~40	CJX2N-25~32
JR28N-93	3322	17~25	CJX2N-40~95
	3353	23~32	CJX2N-40~95
	3355	30~40	CJX2N-40~95
	3357	37~50	CJX2N-50~95
	3359	48~65	CJX2N-50~95
	3361	55~70	CJX2N-65~95
	3363	63~80	CJX2N-65~95
	3365	80~93	CJX2N-95

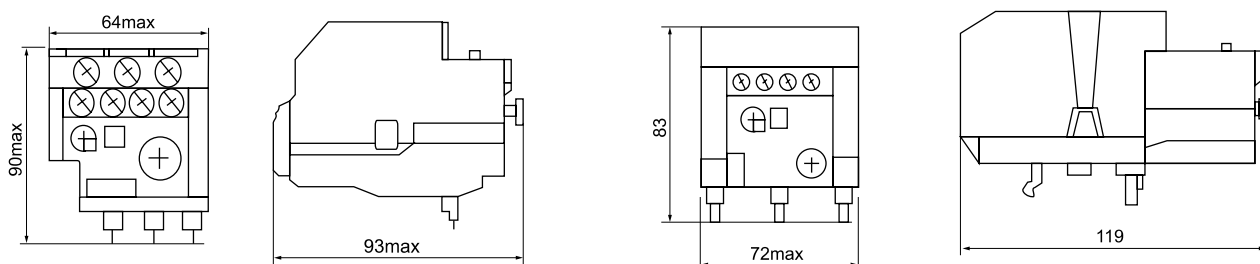


JR28N-93

5. Outline and Mounting Dimension




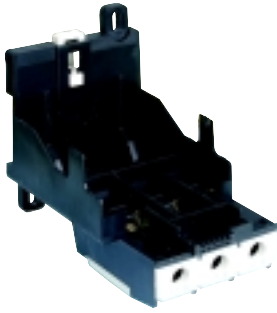
JR28N-25



JR28N-36

JR28N-93

6. Accessories

Pic		
Description	JR28N-36 mounting base	JR28N-93 mounting base
Application	Assembled with JR28N-36 to form a complete set	Assembled with JR28N-93 to form a complete set