

CJX2-F AC Contactor

1. Application

CJX2-F AC contactor is suitable for using in the circuits up to the rated voltage 380V AC 50/60Hz, current 800A, for long distance breaking circuit and frequently starting or controlling the motor. It also can be used for the control of distribution circuits of rated current from 115A to 800A. It conforms to IEC60947-4-1.

2. Specification



CJX2-F115

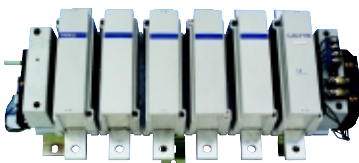


CJX2-F150



CJX2-F630

Type	Rated operational current in AC-3(A)	Max power ratings of 3-phase motors in category AC-3(kW)							Operating frequency (time/hour) AC-3	Electrical life AC-3 x10 ⁴	Mechanical life x10 ⁴
		220V 230V	380V 400V	415V	440V	500V	660V 690V	1000V			
CJX2-F115	115	30	55	59	59	75	80	65	1200	120	1000
CJX2-F1154	115	30	55	59	59	75	80	65	1200	120	1000
CJX2-F150	150	40	75	80	80	90	100	65	1200	120	1000
CJX2-F1504	150	40	75	80	80	90	100	65	1200	120	1000
CJX2-F185	185	55	90	100	100	110	110	100	600	100	600
CJX2-F1854	185	55	90	100	100	110	110	100	600	100	600
CJX2-F225	225	63	110	110	110	130	129	100	600	100	600
CJX2-F2254	225	63	110	110	110	130	129	100	600	100	600
CJX2-F265	265	75	132	140	140	160	160	147	600	80	600
CJX2-F2654	265	75	132	140	140	160	160	147	600	80	600
CJX2-F330	330	100	160	180	200	200	220	160	600	80	600
CJX2-F3304	330	100	160	180	200	200	220	160	600	80	600
CJX2-F400	400	110	200	220	250	257	280	185	600	80	600
CJX2-F4004	400	110	200	220	250	257	280	185	600	80	600
CJX2-F500	500	147	250	280	295	355	335	335	600	80	600
CJX2-F5004	500	147	250	280	295	355	335	335	600	80	600
CJX2-F630	630	200	335	375	400	400	450	450	600	80	600
CJX2-F6304	630	200	335	375	400	400	450	450	600	80	600
CJX2-F780	780	220	400	425	425	450	475	40	600	80	600
CJX2-F7804	780	220	400	425	425	450	475	450	600	80	600
CJX2-F800	800	250	450	450	450	450	470	450	600	80	600



CJX2-F780

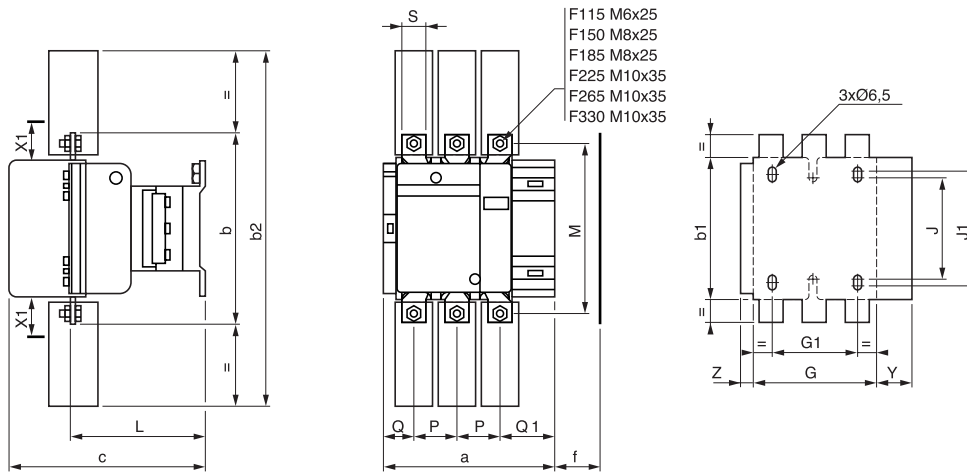


CJX2-F1154



CJX2-F5004

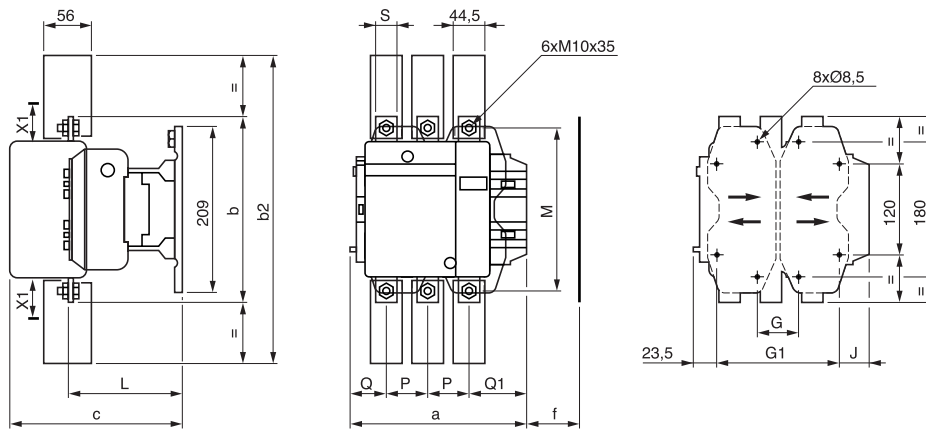
3. Outline and Mounting Dimension



CJX2-F115 to F330

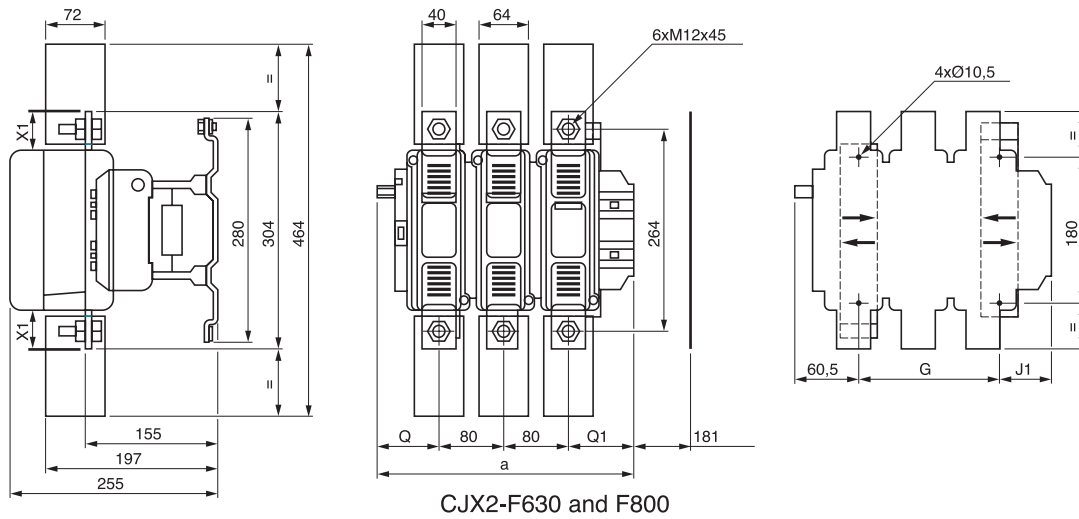
CJX2-		a	b	b1	b2	c	f	G	G1	J	J1	L	M	P	Q	Q1	S	1	Y	Z
F115	3P	163.5	162	137	265	171	131	106	80	106	120	107	147	37	29.5	60	20	26	44	13.5
	4P	200.5	162	137	265	171	131	143	80	106	120	107	147	37	29.5	60	20	26	44	13.5
F150	3P	163.5	170	137	301	171	131	106	80	106	120	107	150	40	26	57.5	20	34	44	13.5
	4P	200.5	170	137	301	171	131	143	80	106	120	107	150	40	26	55.5	20	34	44	13.5
F185	3P	168.5	174	137	305	181	130	111	80	106	120	113.5	154	40	29	59.5	20	34	44	13.5
	4P	208.5	174	137	305	181	130	151	80	106	120	113.5	154	40	29	59.5	20	34	44	13.5
F225	3P	168.5	197	137	364	181	130	111	80	106	120	113.5	172	48	21	51.5	25	44.5	44	13.5
	4P	208.5	197	137	364	181	130	151	80	106	120	113.5	172	48	17	47.5	25	44.5	44	13.5
F265	3P	201.5	203	145	375	213	147	142	96	106	120	141	178	48	39	66.5	25	44.5	38	21.5
	4P	244.5	203	145	375	213	147	190	96	106	120	141	178	48	34	66.5	25	44.5	38	21.5
F330	3P	213	206	145	375	219	147	154.5	96	106	120	145	181	48	43	74	25	44.5	38	20.5
	4P	261	206	145	375	219	147	202.5	96	106	120	145	181	48	43	74	25	44.5	38	20.5

f = minimum distance required for coil removal

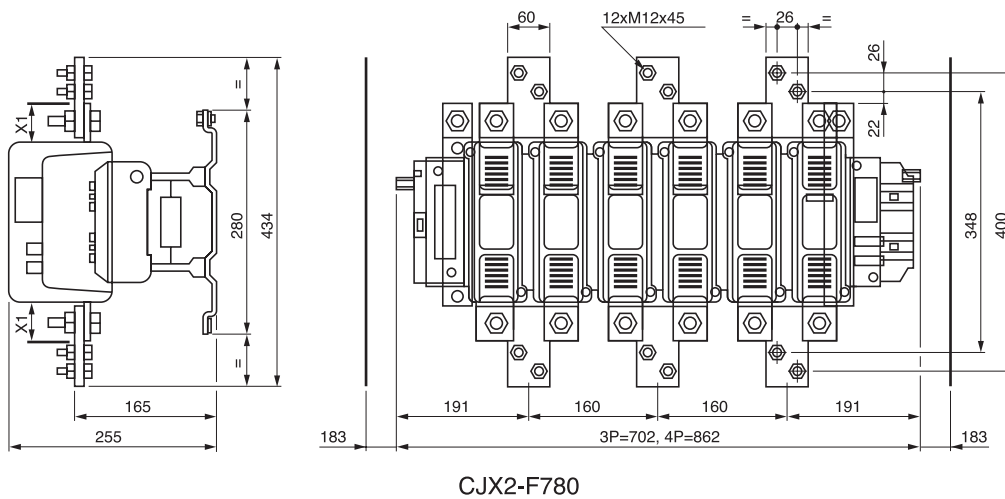


CJX2-F400 and F500

CJX2-		a	b	b2	c	f	G *	G min.	G max.	G1 *	G1 min.	G1 max.	J	L	M	P	Q	Q1	S
F400	2P	213	206	375	219	119	80	66	102	170	156	192	19.5	145	181	48	69	96	25
	3P	213	206	375	219	119	80	66	102	170	156	192	19.5	145	181	48	43	74	25
	4P	261	206	375	219	119	80	66	150	170	156	240	67.5	145	181	48	43	74	25
F500	2P	233	238	400	232	141	80	66	120	170	156	210	39.5	146	208	55	76	102	30
	3P	233	238	400	232	141	80	66	120	170	156	210	39.5	146	208	55	46	77	30
	4P	288	238	400	232	141	140	66	175	230	156	265	34.5	146	208	55	46	77	30



CJX2-		a	G	G min.	G max.	J1	Q	Q1
F630	2P	309	180	100	195	68.5	102	127
F630, F800	3P	309	180	100	195	68.5	60	89
F630	4P	389	240	150	275	68.5	60	89



4. Bobbin of AC Contactor CJX2-F

Type	Used for contactor
LX1-FF	CJX2-F115~F150
LX1-FG	CJX2-F185~F225
LX1-FH	CJX2-F265~F330
LX1-FJ	CJX2-F400
LX1-FK	CJX2-F500
LX1-FL	CJX2-F630
LX1-FK(1)	CJX2-F780